

FJ Rigid 4x2 SPECIFICATIONS

Model	FJX4WJ1L	FJX4WL1L	FJX4WP1L
Drive type	Left hand drive		
Crew	3 (1+2)		

DIMENSIONS (mm)

Wheelbase	4500	5100	6000
Overall length	8060	9060	10410
Overall width	2490		
Overall height	2960 (Unladen)		
Tread	front	2045	
	rear	1805	

WEIGHTS (kg)

Kerb weight *	5830	5940	6140
Max. GVW (tech)	18000		

CALCULATED PERFORMANCE

Max. speed (km/h)	104
Max. running gradeability (tan θ) %	33.89

ENGINE

Model	6S20, 6.372 - liter, 4 valve per cylinder, Euro III		
Type	4-stroke cycle, water cooled direct injection, turbocharged diesel engine		
Max. output	170 kW (230 hp) @ 2200rpm		
Max. torque	810 Nm @ 1200-1600 rpm		
Alternator	24V/80A		

DRIVE LINE

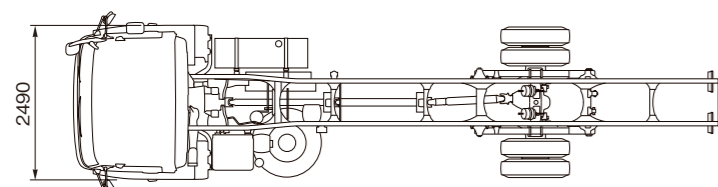
Clutch	Dry - Single plate, Hydraulic control with air assisted booster		
Transmission	G85 - Mechanical (manual), Synchromesh type, 6 Forward + 1 Reverse		
gear ratios	6.696 - 3.806 - 2.289 - 1.48 - 1.00 - 0.728, Rev: 6.294		
Final reduction gear	Full floating type, Single reduction, Hypoid gears		
ratio	5.875		

CHASSIS

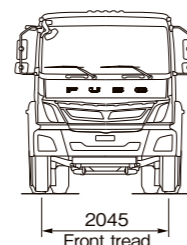
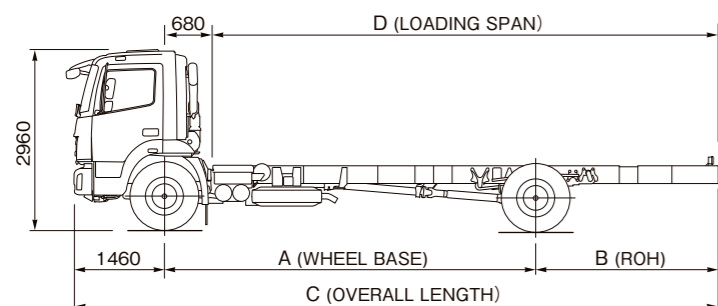
Axle Capacity (kg)	front	6600
	rear	11400
Tire	front	Single, 295/80R22.5 (Tubeless)
	rear	Dual, 295/80R22.5 (Tubeless)
Suspension	front	Parabolic leaf spring with shock absorbers and stabilizer
	rear	Semi elliptical with auxiliary spring and stabilizer
Brake	service	Full air S-cam, Dual circuit, ABS
	parking	Pneumatically operated spring brake actuator acting on rear axle
	auxiliary	Engine brake and Exhaust brake
Fuel tank capacity (L)	255	
Electrical system - batteries	2x12 V, 120 A	

* Complete Cab chassis vehicle without driver & rear body with: ●Coolant ●Fuel tank filled with fuel of 90% of its capacity ●Spare wheel ●Standard tool kit ●Wheel chock
●All liquids to ensure correct functioning of vehicle ●Warning triangle if provided

DRAWINGS (mm)



	FJX4WJ1L	FJX4WL1L	FJX4WP1L
A	4500	5100	6000
B	2100	2500	2950
C	8060	9060	10410
D	5920	6920	8270



COLOR VARIATION

Standard Arctic White

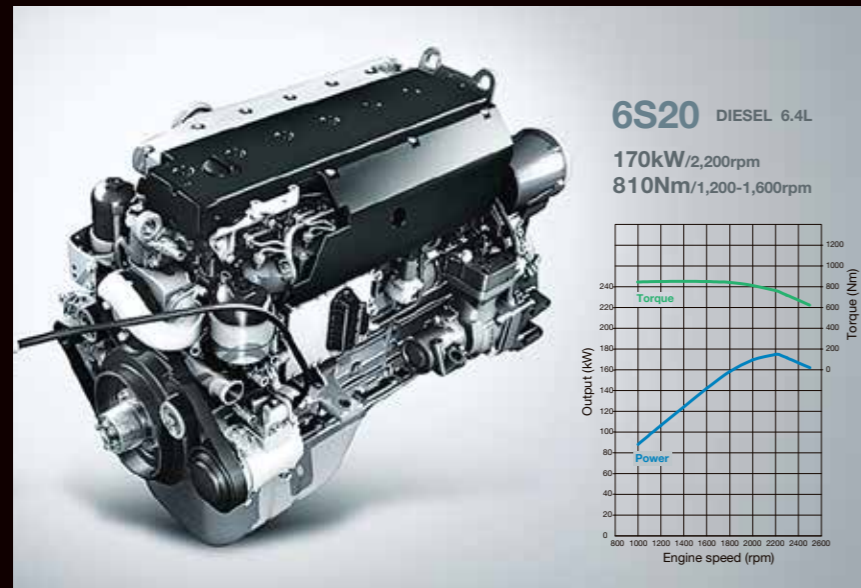


MITSUBISHI FUSO TRUCK & BUS CORPORATION

www.mitsubishi-fuso.com

MITSUBISHI FUSO TRUCK & BUS CORPORATION

Delivering Profit for the Various Load



Engine of Profitability

From output to emissions, this engine has it all. The direct injection diesel engine delivers high output and flat torque to the smooth-shifting six-speed transmission. Oil-lubricant fuel pumps reduce wear, increasing durability.



Smooth, Durable Six-speed Transmission

The six-speed (6F, 1R) overdrive transmission combines multiple synchronizer rings and a cable type shift mechanism to make shifting smoother and easier. The large diameter clutch plate and organic clutch material increase durability.



Intelligent Instrument Cluster

The LED panel makes all vital information easily visible. The Trip Mileage Indicator shows distance traveled, average speed, and fuel consumed. Variable green band indicator shows the driver the gear and speed required to minimize fuel consumption.



Cruise control

Cruise control reduces driver fatigue. The driver can set a cruising speed, then relax.

Engine RPM throttle control

Demand based rpm setting.



Fuel theft control

Meshed grill at the mouth of the fuel tank prevents fuel theft between trips.



Aerodynamic Design

The aerodynamic design of the cab reduces wind resistance. While increasing fuel efficiency, it also reduces noise, for a quieter, more comfortable drive.

The picture is an image.



More Comfortable Cabin

Three-way adjustable seats and tilt-and-telescoping steering wheel allow the driver to choose an optimum driving posture. The extended day cabin includes a fold-down bunk for naps. Optional Air conditioned cabin with Power window and central locking system and Air suspended seat available to enhance the driver comfort.



Suspensions with Enhanced Functionality

Parabolic front suspension increases comfort and drivability, while the multi leaf rear suspensions have more and thicker leaves, to last longer and carry heavier loads.



Anti-roll Bars for Greater Safety

Anti-roll bars improve road grip and vehicle stability, especially when cornering or changing lanes at high speed. Front and rear anti roll bar is standard



LED lamp

Updated and more durable design for greater visibility in all types of light and weather conditions.



Music system

A richer and more enjoyable audio entertainment experience.



Dual chamber headlamps

Conventional headlamps switch between high and low beam bulbs. In dual chamber headlamps, both bulbs are on when high beam is activated, for more intense light and higher visibility.

Exceptional Exteriors

Striking design ensures that your fleet always stands out from the competition.

Actual vehicle may differ slightly from pictures shown